

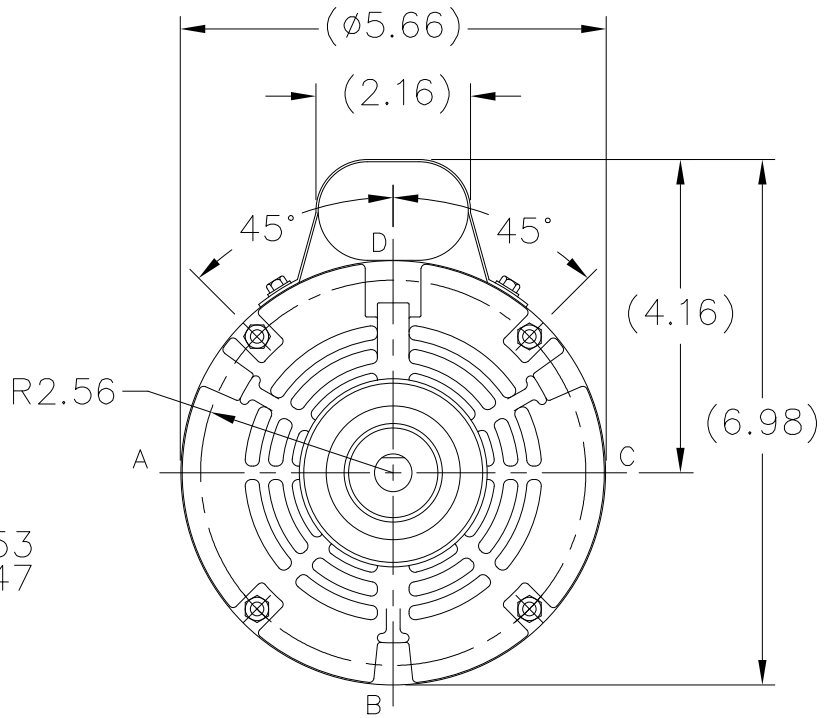
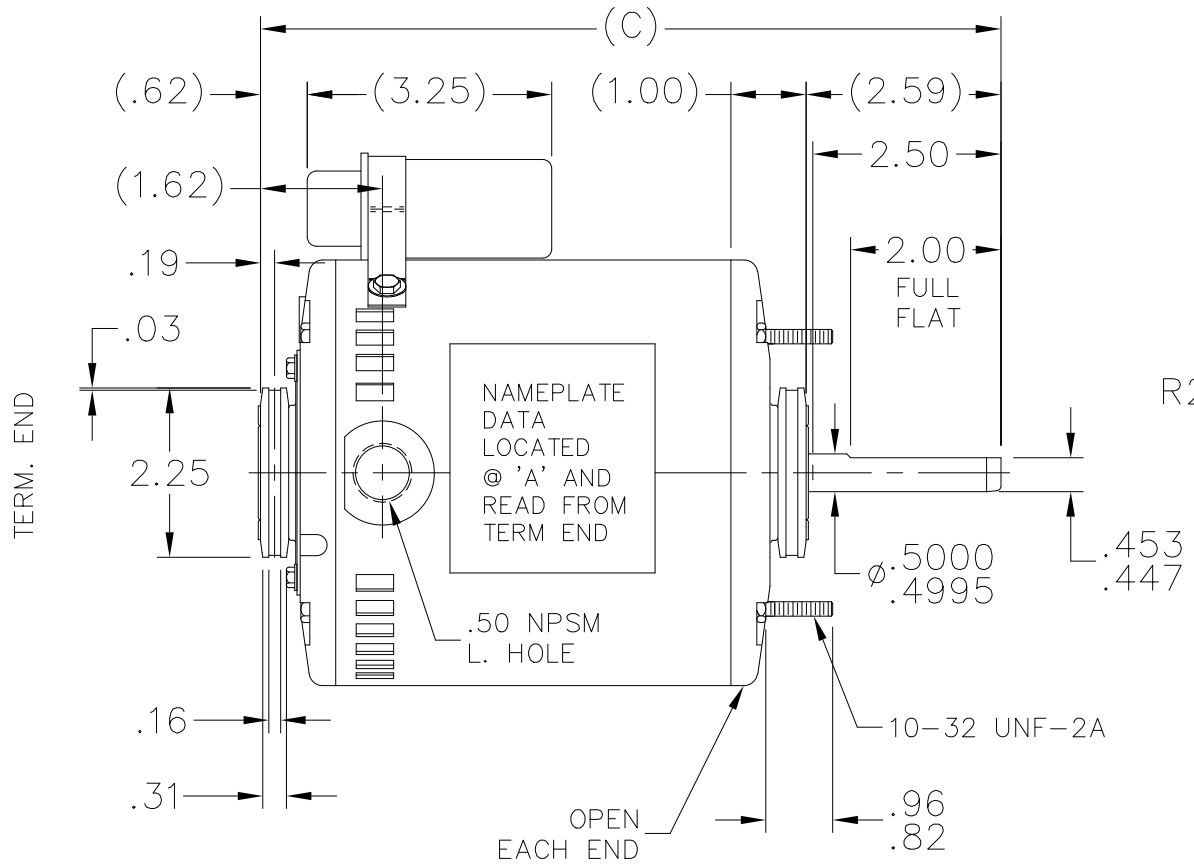


Nameplate Specifications

Phase	1	Output HP	0.17 Hp
Output KW	0.13 kW	Voltage	115 V
Speed	1075 rpm	Service Factor	1
Frame	48Z	Enclosure	Open Air Over
Thermal Protection	Automatic	Efficiency	56.4 %
Ambient Temperature	40 °C	Frequency	60 Hz
Current	2.2 A	Power Factor	86.7
Duty	Continuous	Insulation Class	B
Design Code	NO DESIGN CODE	KVA Code	D
Drive End Bearing Size	6203	Opp Drive End Bearing Size	6203
UL	Recognized	CSA	Y
CE	N	IP Code	10
Number of Speeds	1		

Technical Specifications

Electrical Type	Permanent Split Capacitor	Starting Method	Across The Line
Poles	6	Rotation	Selective Counterclockwise
Resistance Main	0 Ohms	Mounting	Resilient Ring - Extended Studs
Motor Orientation	Horizontal	Drive End Bearing	Ball
Opp Drive End Bearing	Ball	Frame Material	Rolled Steel
Shaft Type	Single Special Extension	Overall Length	9.84 in
Frame Length	5.25 in	Shaft Diameter	0.500 in
Shaft Extension	2.59 in	Assembly/Box Mounting	F1 ONLY
Outline Drawing	A-SS403421-525	Connection Drawing	A-EE9022NE

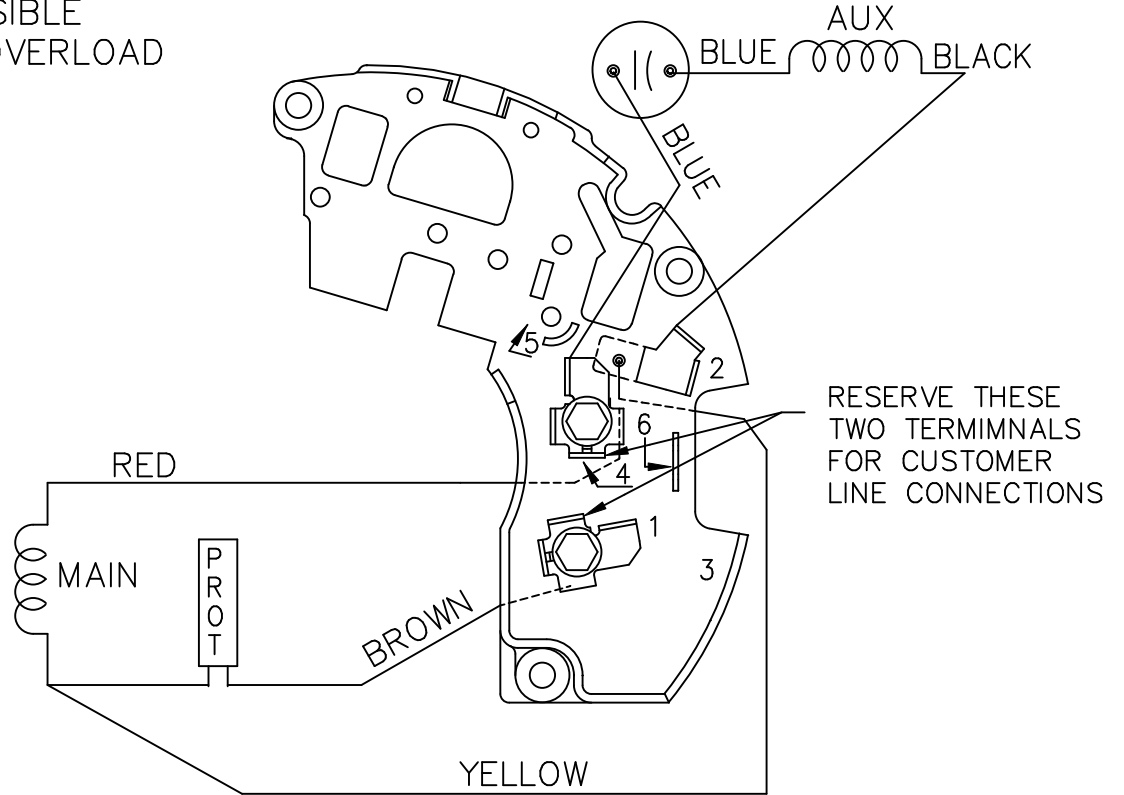
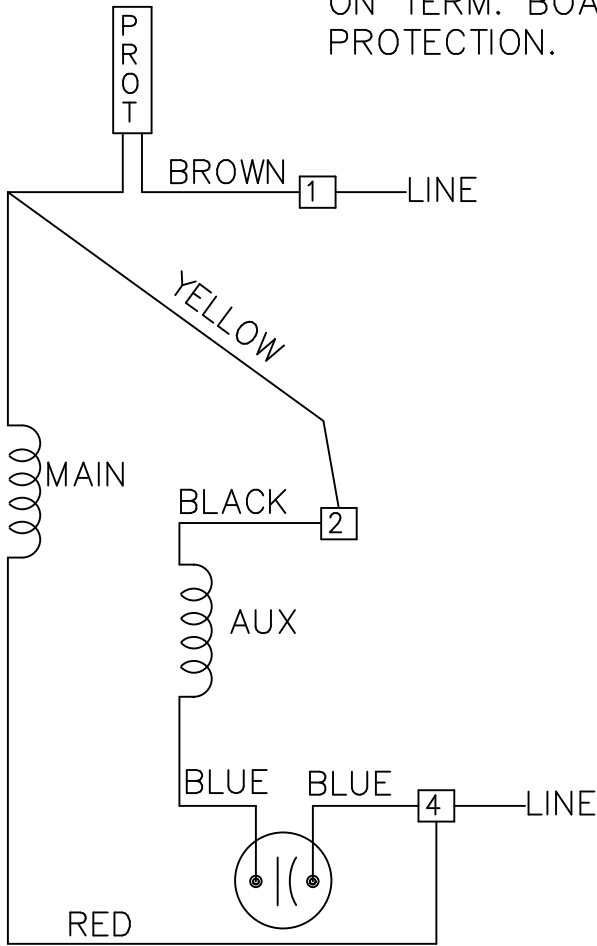


DASH	C
525	9.84
575	10.34

				TOLERANCES UNLESS SPECIFIED		Regal Beloit America, Inc.	DRAWN NJS 07-14-2004	
				DEC.	INCHES		CHK ML 07-14-2004	
				.X	±.1		APPD TOM 07-14-2004	
				.XX	±.03		SCALE 3=8	
				.XXX	±.005		REF	
01	CHG FROM MARATHON TO RRX TEMPLATE PER ECR-0233451	MD 5/6/2024	DS	.XXXX	±.0005	TITLE OUTLINE	FMF CN 29200-3670	
NO.	REVISION	BY & DATE	CHK	ANG	±7'30"	MAT'L.	PREV	
				RFP	07-15-2004	CAD FILE SS403421	SIZE A	
				DIST	WP		DRAWING NO. SS403421	
							PAGE OF 01	
							REV. 01	

THIS DRAWING IN DESIGN AND DETAIL IS OUR PROPERTY AND MUST NOT BE USED EXCEPT IN CONNECTION WITH OUR WORK ALL RIGHTS OF DESIGN AND INVENTION ARE RESERVED THIS IS AN ELECTRONICALLY GENERATED DOCUMENT - DO NOT SCALE THIS PRINT

SINGLE VOLTAGE PERMANENT SPLIT CAPACITOR. REVERSIBLE ON TERM. BOARD. WITH OVERLOAD PROTECTION.



RESERVE THESE TWO TERMINALS FOR CUSTOMER LINE CONNECTIONS

CCW ROTATION SHOWN TO REVERSE ROTATION, INTERCHANGE BLACK WITH BLUE ON TERMINALS 2 AND 4.

				TOLERANCES UNLESS SPECIFIED		MARATHON ELECTRIC	DRAWN BLR 08-29-1995					
				DEC.	INCHES		CHK	DA	08-30-1995			
				.X	± -	TITLE CONNECTION DIAGRAM	APPD	RJS	09-05-1995	SCALE	1=1	
2	REDRAWN IN AUTOCAD	NJS		.XXX	± -		REF					
1	NEW DRAWING	4316323	BLR 09-13-1995	.XXXX	± -		MAT'L.	FMF				
NO.	REVISION	BY & DATE	CHK	ANG	± -	FINISH	PREV					
THIS DRAWING IN DESIGN AND DETAIL IS OUR PROPERTY AND MUST NOT BE USED EXCEPT IN CONNECTION WITH OUR WORK ALL RIGHTS OF DESIGN AND INVENTION ARE RESERVED THIS IS AN ELECTRONICALLY GENERATED DOCUMENT - DO NOT SCALE THIS PRINT				RFP		CAD FILE EE9022NE	SIZE	DRAWING NO.	PAGE	OF	REV.	
				DIST	WP		A	EE9022NE			2	

** Subject to change without notice.



MARATHON ELECTRIC CORPORATION
TYPICAL PERFORMANCE CURVE for AC MOTOR

Customer

Curve at

115 Volts
60 HZ
0.167 HP

HP 0.17

PHASE 1

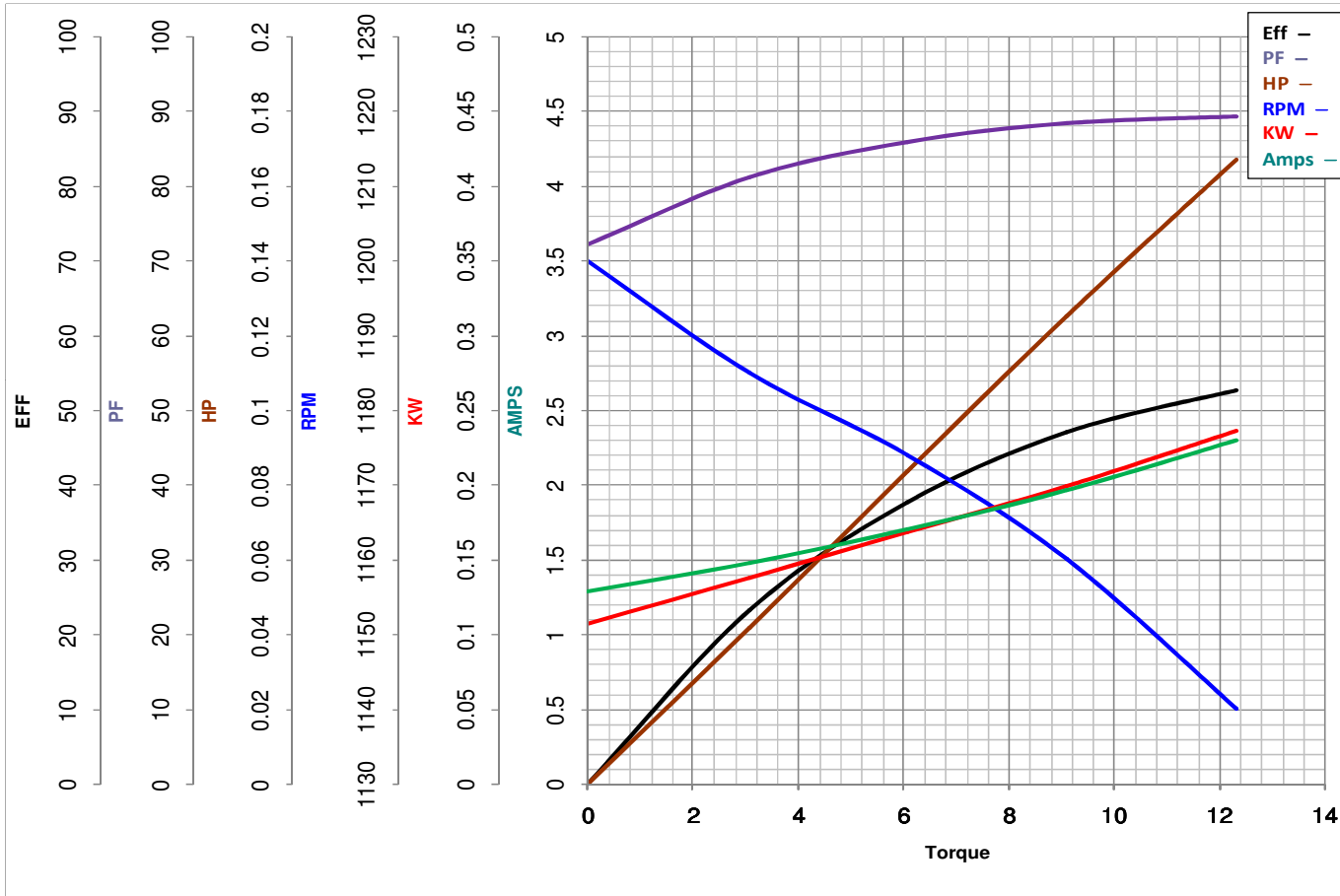
Model No 48A11O251

VOLTS 115

Catalog No X260

HZ 60

RPM 1075



Torque in Oz.Ft

FL TORQUE 12.3 Oz.Ft
BD TORQUE 19.7 Oz.Ft
LR TORQUE 5.36 Oz.Ft

FL AMPS 2.2
PU TORQUE 4.4 Oz.Ft
LR AMPS 5.9

WINDING PM556156-1

Date 1/9/2019